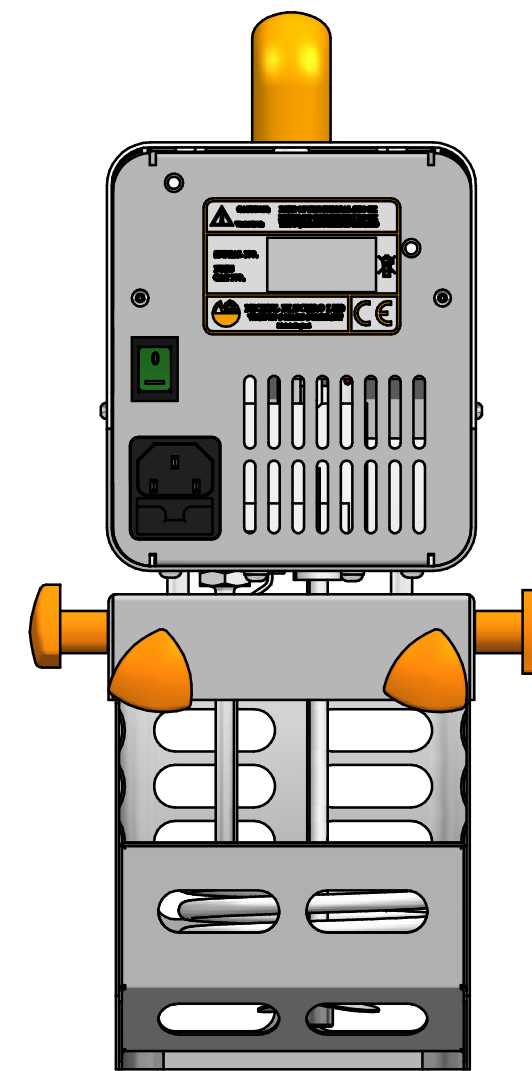
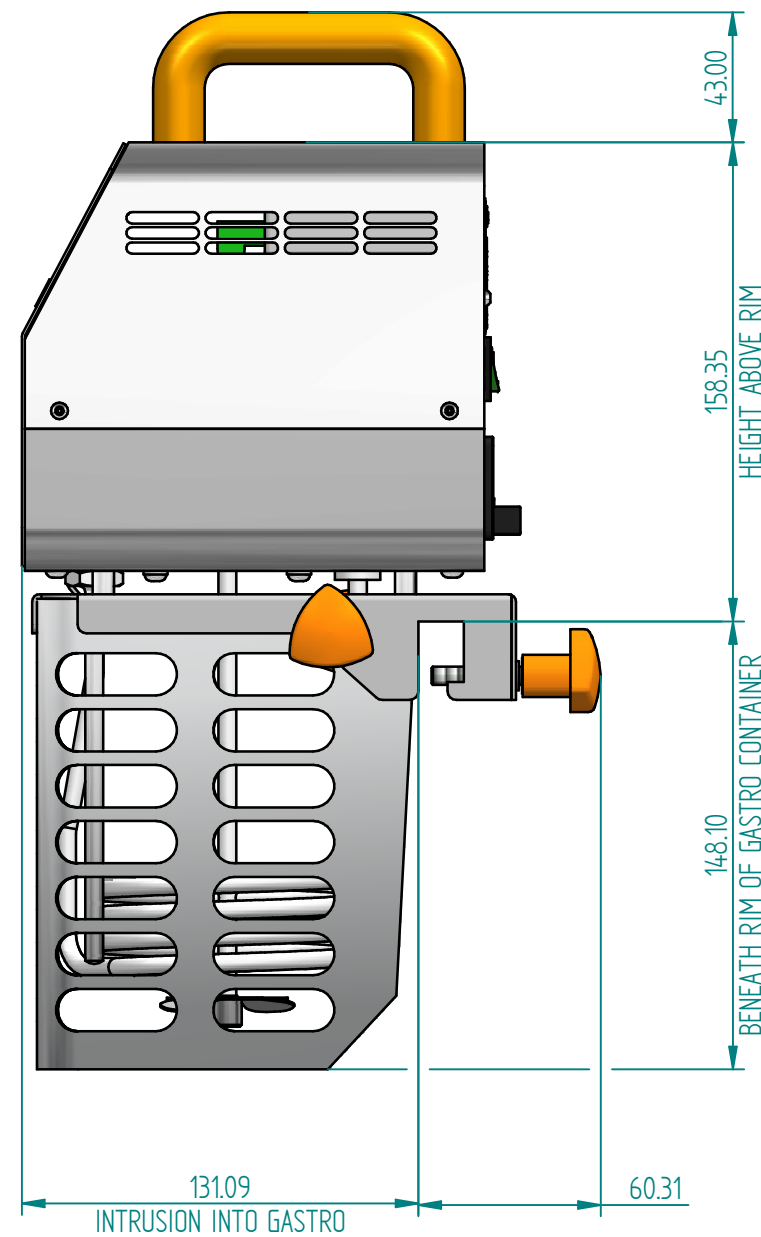
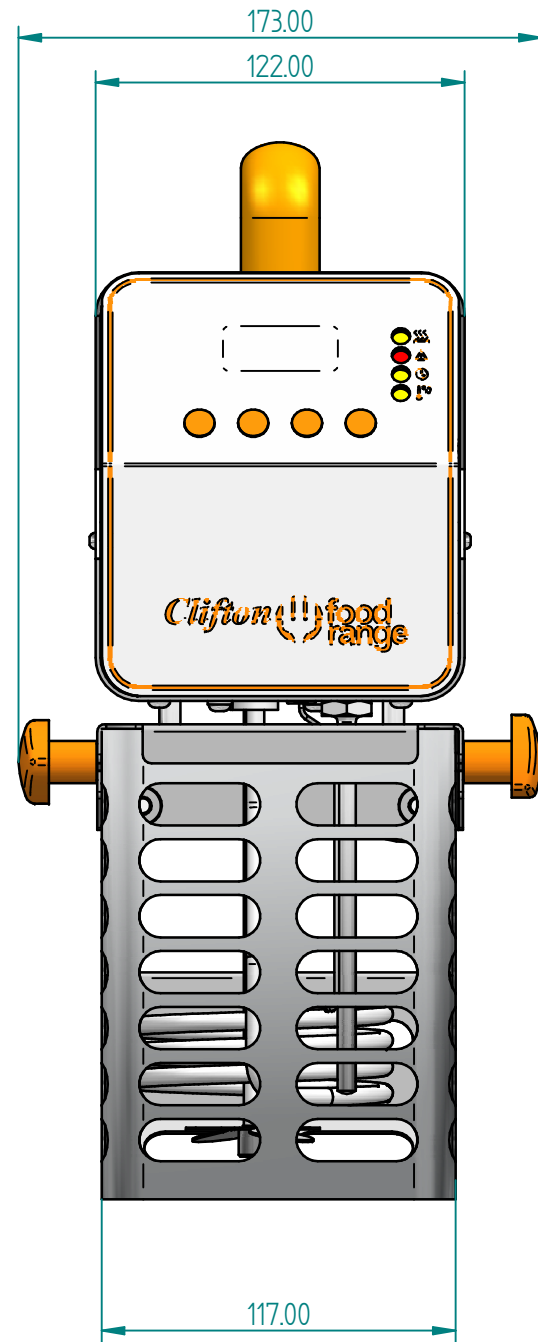
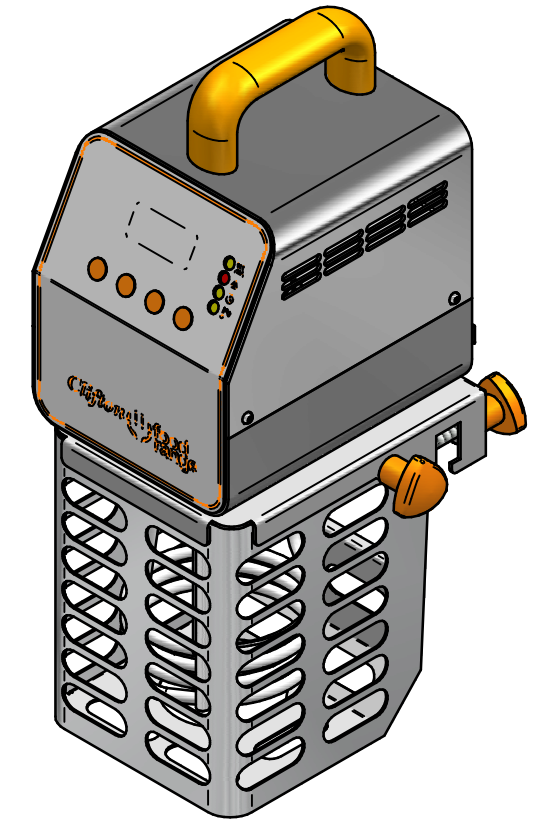


Clifton



DESCRIPTION	GENERAL ASSY FL4CA SOUS VIDE STIRRER			TOLERANCES U.O.S
QF050/24/9/02	MATERIAL	FINISH		HOLE DIA + 0.2 mm
				HOLE CTRS +/- 0.25 mm
				GENERAL +/- 0.50 mm

Clifton food range

01934 626691 Nickel-Electro Limited
 01934 630300 Oldmixon Crescent
 www.cliftonfoodrange.co.uk Weston-super-Mare, North Somerset
 info@cliftonfoodrange.co.uk BS24 9BL, England

Clifton Food Range, part of NICKEL-ELECTRO LIMITED

DRN	MJC	3	01/03/2011	P.R	MJC
DATE	13/09/2010	ISSUE	DATE	MOD	SIGN
SCALE	N.T.S	SHEET	1	OF	1
CHK'D	ACR	DRG No.	FL4CA		